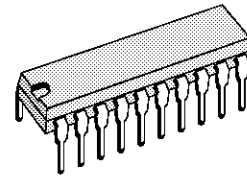


5 CHANNELS VIDEO SWITCH

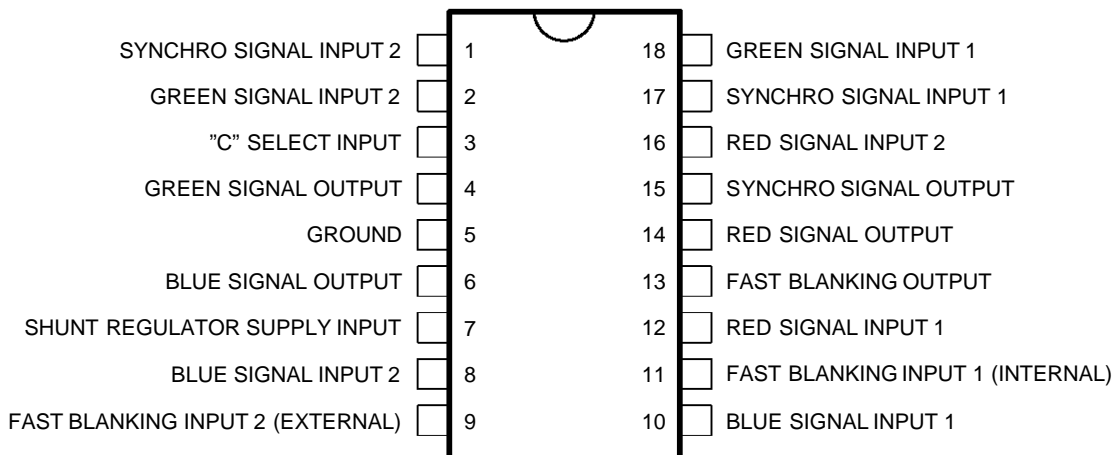
- EACH CHANNEL EXCEPT FAST BLANKING HAS 6dB GAIN
- R, G, B AND VIDEO SIGNALS ARE CLAMPED TO THE SAME REFERENCE VOLTAGE IN ORDER TO HAVE NO OUTPUT DIFFERENTIAL VOLTAGE WHEN SWITCHING
- ALL INPUT LEVELS COMPATIBLE WITH NFC 92250 AND EN 50049 NORMS
- 30MHz BAND WIDTH FOR R, G, B SIGNALS
- INTERNAL 6.7V SHUNT REGULATOR FOR :
 - _ LOW IMPEDANCE LOADS,
 - _ POWER DISSIPATION LIMITATION
- INDEPENDANT VIDEO OR SYNCHRONIZING SIGNAL SELECTION
- SIMULTANEOUS SWITCHING OF R, G, B AND FB SIGNALS BY FB1 INPUT (internal)



DIP18
(Plastic Package)

ORDER CODE : TEA5115

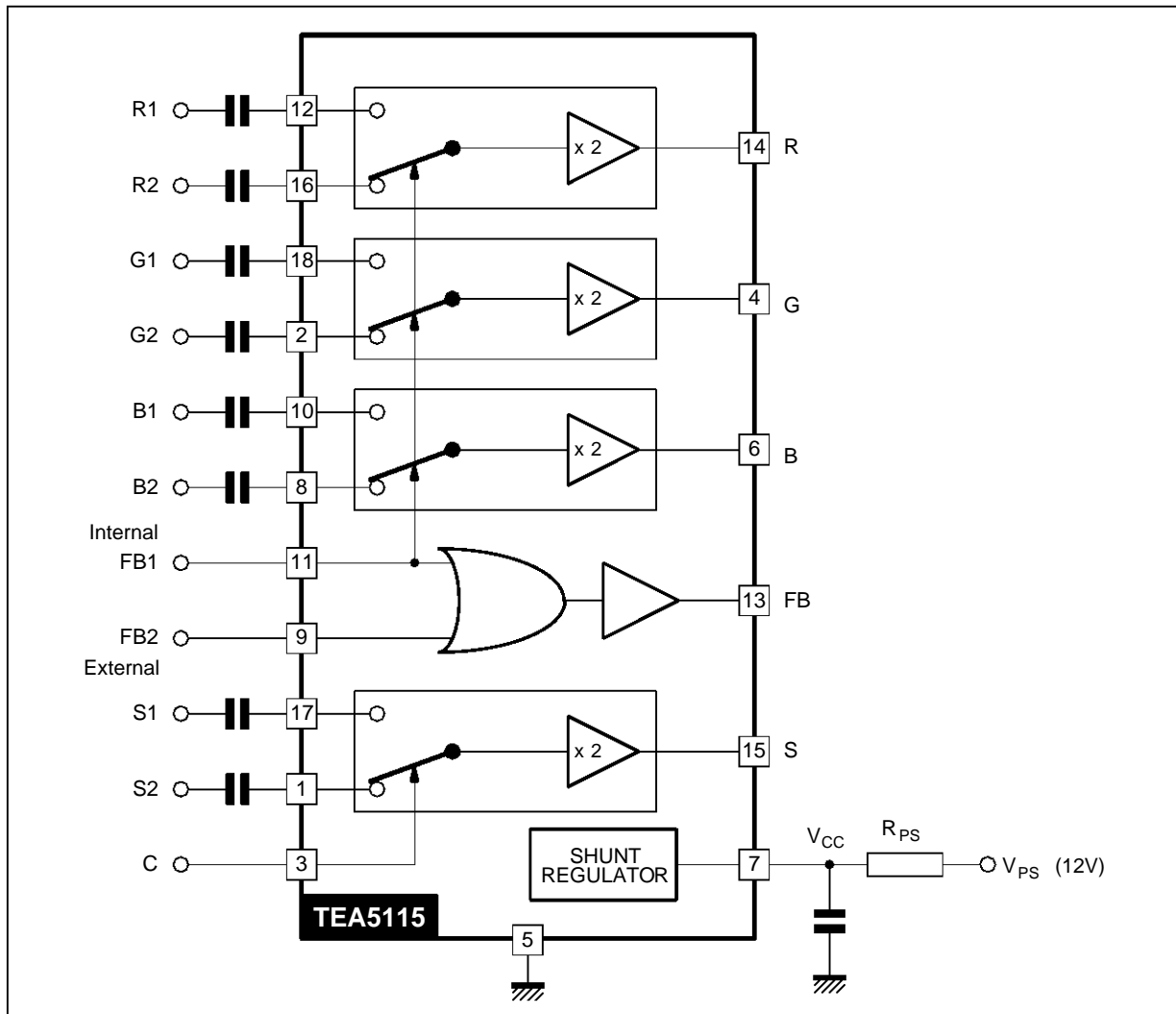
PIN CONNECTIONS



5115-01.EPS

TEA5115

BLOCK DIAGRAM



ABSOLUTE MAXIMUM RATINGS

Symbol	Parameter	Value	Unit
I_{CC}	Supply Current (see note)	150	mA
V_{in}	Input Voltage (all inputs)	- 0.5 to $V_{CC} + 0.5$	V
T_{oper}	Operating Temperature Range	0 to 70	°C
T_j	Junction Temperature	- 40 to + 150	°C
T_{stg}	Storage Temperature	- 40 to + 150	°C

Note : Minimum output load is 300 Ω in case of all outputs loaded.

THERMAL DATA

Symbol	Parameter	Value	Unit
$R_{th(j-a)}$	Junction-ambient Thermal Resistance	70	°C/W

ELECTRICAL CHARACTERISTICS

$T_{amb} = + 25\text{ }^{\circ}\text{C}$, $I_{CC} = 120\text{ mA}$; Load value = $150\text{ }\Omega$

(sequentially switched) (unless otherwise specified, refer to test circuit page 7)

Symbol	Parameter	Min.	Typ.	Max.	Unit	
V_{CC}	Internal Shunt Regulator	$I_{CC} = 120\text{ mA}$	6.3	6.7	7.2	V
		$I_{CC} = 90\text{ mA}$	6.2		7.3	V
		$I_{CC} = 150\text{ mA}$	6.2		7.3	V

R, G, B Switches (pins 4, 6, 14) (Time Measurement Conditions : Δ inputs RGB = $0.7\text{ }V_{pp}$; FB input pulse amplitude = 2 V)

V_C	DC Output Voltage (no input voltage)	$T_{junction} = 25\text{ }^{\circ}\text{C}$ $T_{junction}$ stabilized		0.9 1.2	1.25	V
V_{AC}	Max Output Swing Voltage		2	4.0		V_{pp}
B	Bandwidth (-3 dB) (input voltage $0.7\text{ }V_{pp}$)		20	30		MHz
A_v	Gain of Each Channel (input voltage $0.7\text{ }V_{pp}$; $f = 1\text{ MHz}$)		5.5	6	6.5	dB
A_{dc}	Gain Difference Between any two R, G, B Channels (input voltage $0.7\text{ }V_{pp}$; $f = 1\text{ MHz}$)			0.1	0.5	dB
	Input Swing			$0.7\text{ V} \pm 3\text{ dB}$		
Z_{ic}	DC Input Impedance			10		$k\Omega$
Z_{oc}	Dynamic Output Impedance (input voltage $0.7\text{ }V_{pp}$; $f = 1\text{ MHz}$) with $R_{load} = 300\text{ }\Omega$			10		Ω
	Crosstalk between any inputs (R1 and R2 or B1 and B2 or G1 and G2) (input voltage $0.7\text{ }V_{pp}$; $f = 1\text{ MHz}$).		45	55		dB
	Crosstalk between any outputs (input voltage $0.7\text{ }V_{pp}$; $f = 1\text{ MHz}$).		40	55		dB
t_{dc}	Delay time between R, G, B inputs and RGB outputs.			10		ns
t_{sr1}	Switching rise time between FB1 input signal and R, G, B output signal.			60	110	ns
t_{sf1}	Switching fall time between FB1 input signal and R, G, B output signal.			10	40	ns
t_{sr2}	Switching rise time between FB2 input signal and R, G, B output signal.			10		ns
t_{sf2}	Switching fall time between FB2 input signal and R, G, B output signal.			10		ns
t_{d11} t_{d12}	R1, G1, B1 Decay Time			30 60		ns ns
t_{d21} t_{d22}	R2, G2, B2 Decay Time			45 40		ns ns

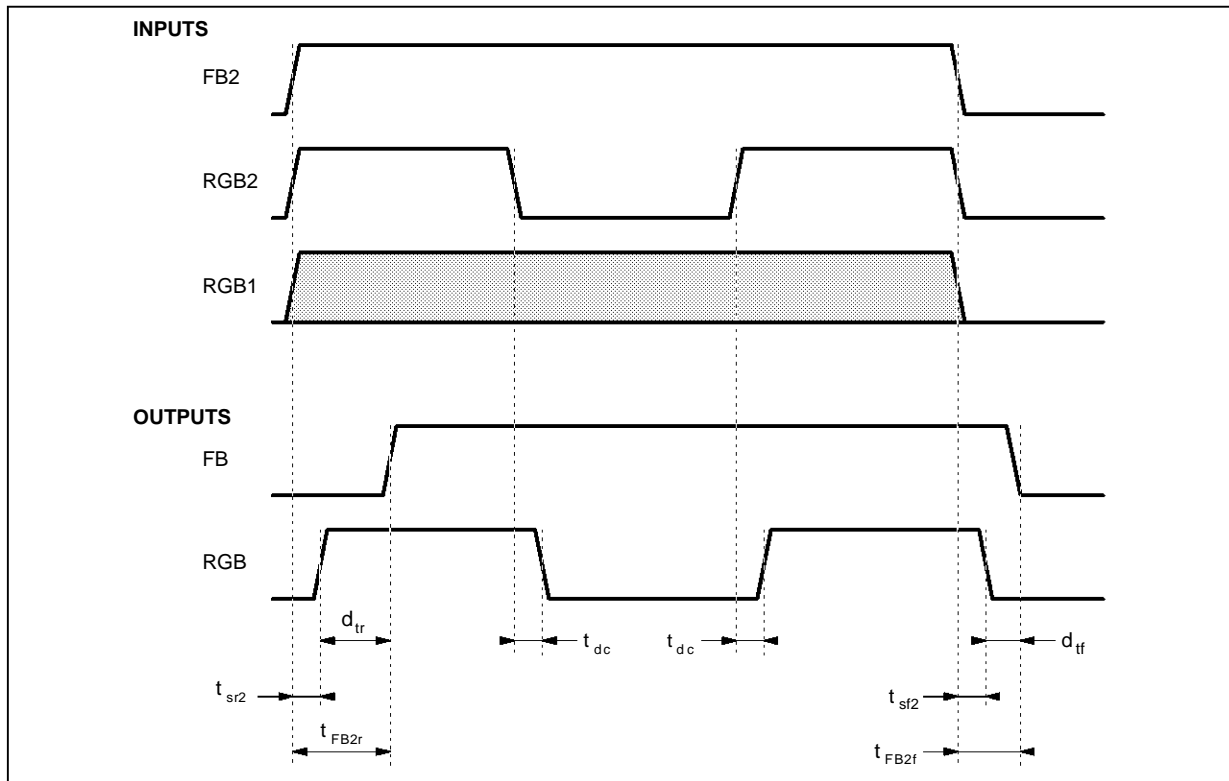
Fast Blanking Switch (pin 13)

(time measurement conditions : FB input pulse amplitude = 2 V)

V_{IL}	Low Level Input Voltage FB1 and FB2		-0.5		0.45	V
V_{IH}	High Level Input Voltage FB2 External		1		$V_{CC}+0.5$	V
V_{IH}	High Level Input Voltage FB1 Internal		1.2		$V_{CC}+0.5$	V
V_{OL}	Low Level Output Voltage				0.6	V
V_{OH}	High Level Output Voltage	$T_{junction} = 25\text{ }^{\circ}\text{C}$	1.4	1.7	3.5	V
		$T_{junction}$ stabilized	1.5	1.9		V
	Input Current (without load)			1.5		μA
	Dynamic Output Impedance : with $R_{load} = 300\text{ }\Omega$			10		Ω
t_{FB1r}	Switching rise time between FB1 input and FB output.			120	160	ns
t_{FB1f}	Switching fall time between FB1 input and FB output.			25	60	ns
t_{FB2r}	Switching rise time between FB2 input and FB output.			70		ns
t_{FB2f}	Switching fall time between FB2 input and FB output.			35		ns
d_{tr}	Delay Between RGB Output Signal and FB Output Signal (rise time)			50	100	ns
d_{tf}	Delay Between RGB Output Signal and FB Output Signal (fall time)			20	40	ns

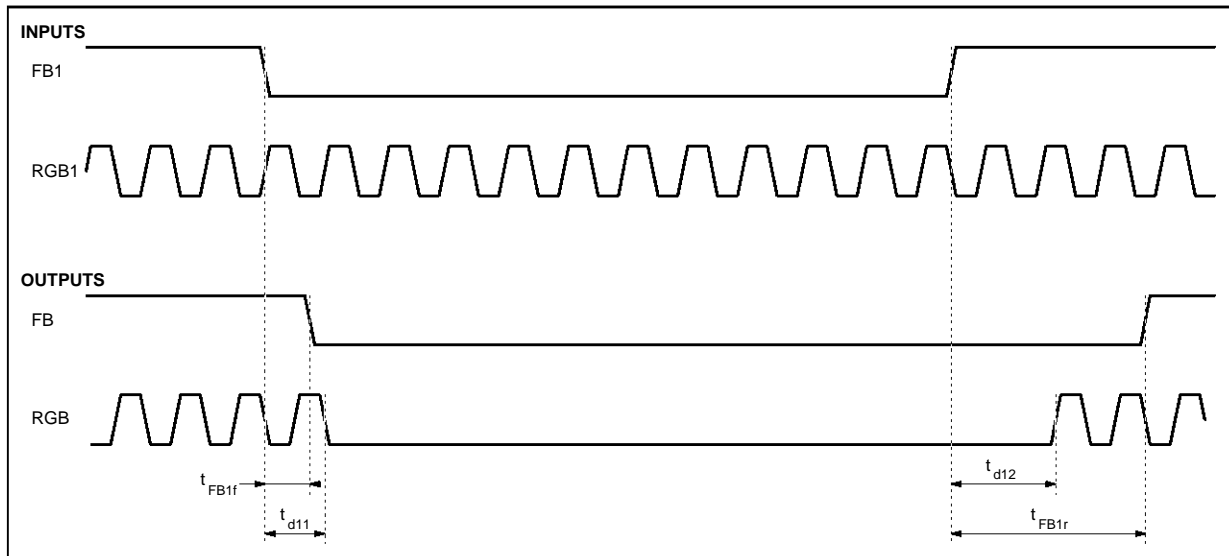
5115-03.TBL

FB1 = 0



5115-04.EPS

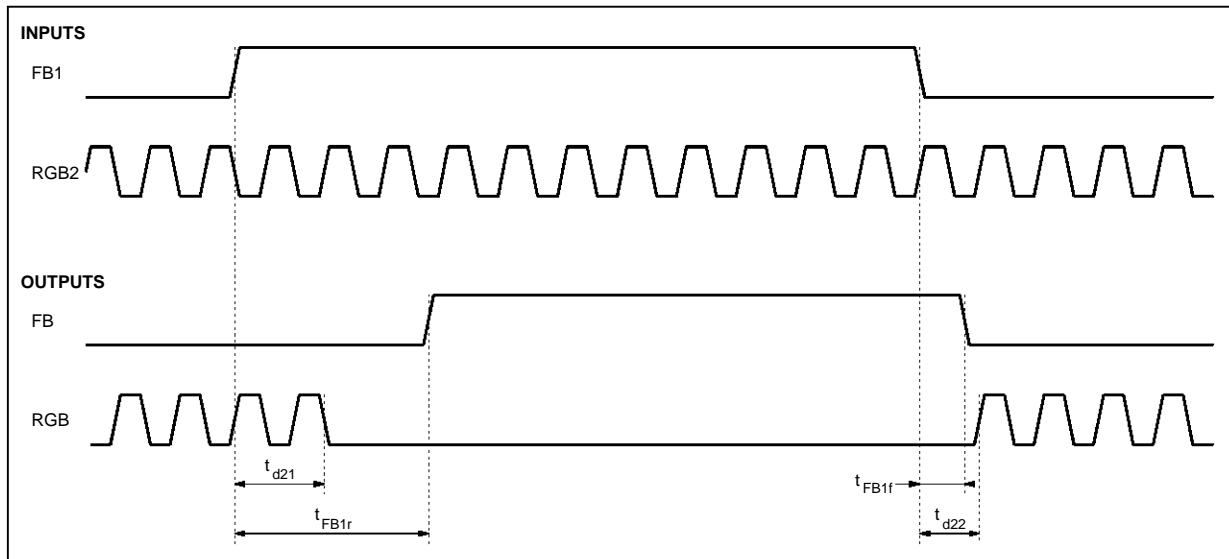
RGB2 = 0, FB2 = 0



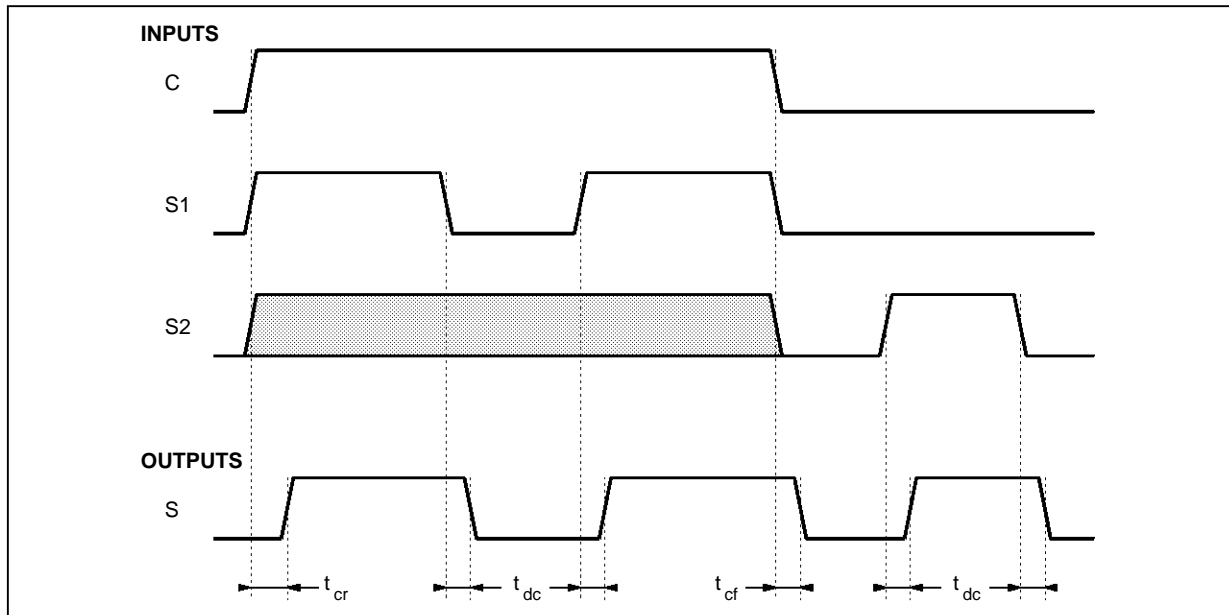
5115-05.EPS

TEA5115

RGB1 = 0, FB2 = 0

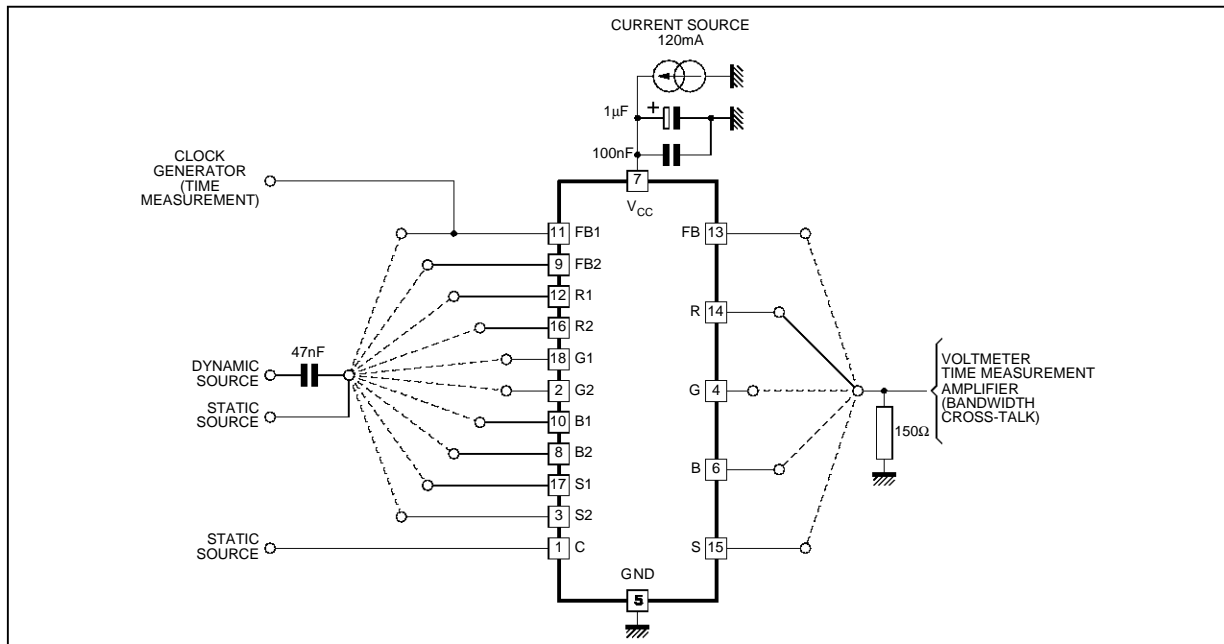


5115-06.EPS



5115-07.EPS

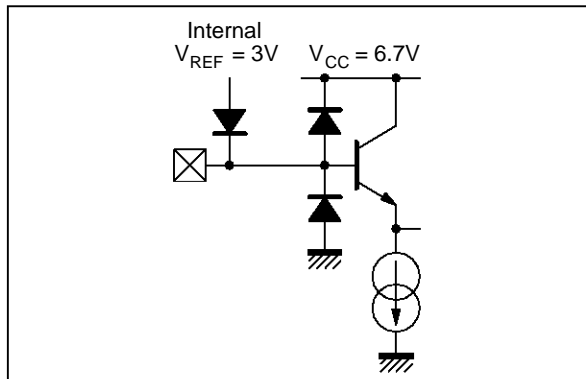
TEST CIRCUIT



5115-08.EPS

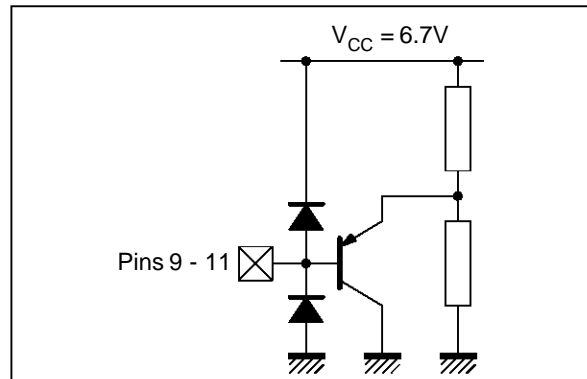
INPUTS/OUTPUTS EQUIVALENT INTERNAL DIAGRAMS

R, G, B, S inputs (pins 1, 2, 8, 10, 12, 16, 17, 18)



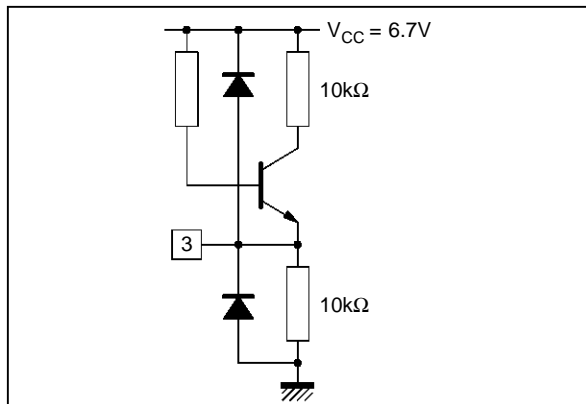
5115-09.EPS

FB inputs (pins 9, 11)



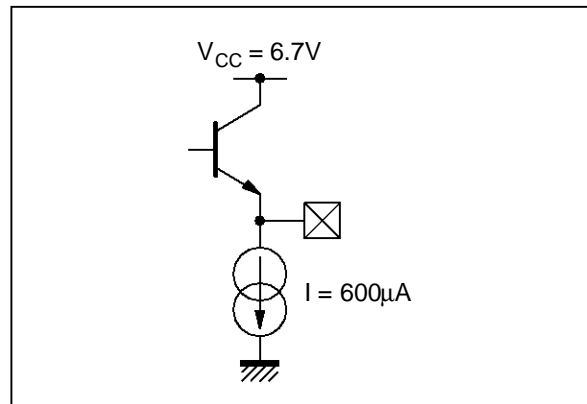
5115-10.EPS

C input (pin 3)



5115-11.EPS

All Outputs (pins 4, 6, 13, 14, 15)

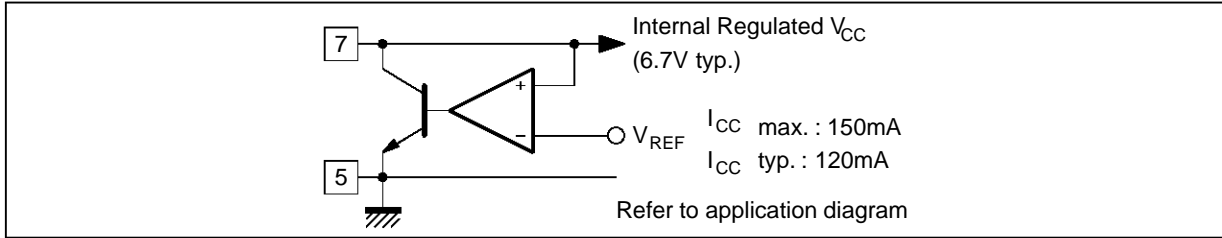


5115-12.EPS

TEA5115

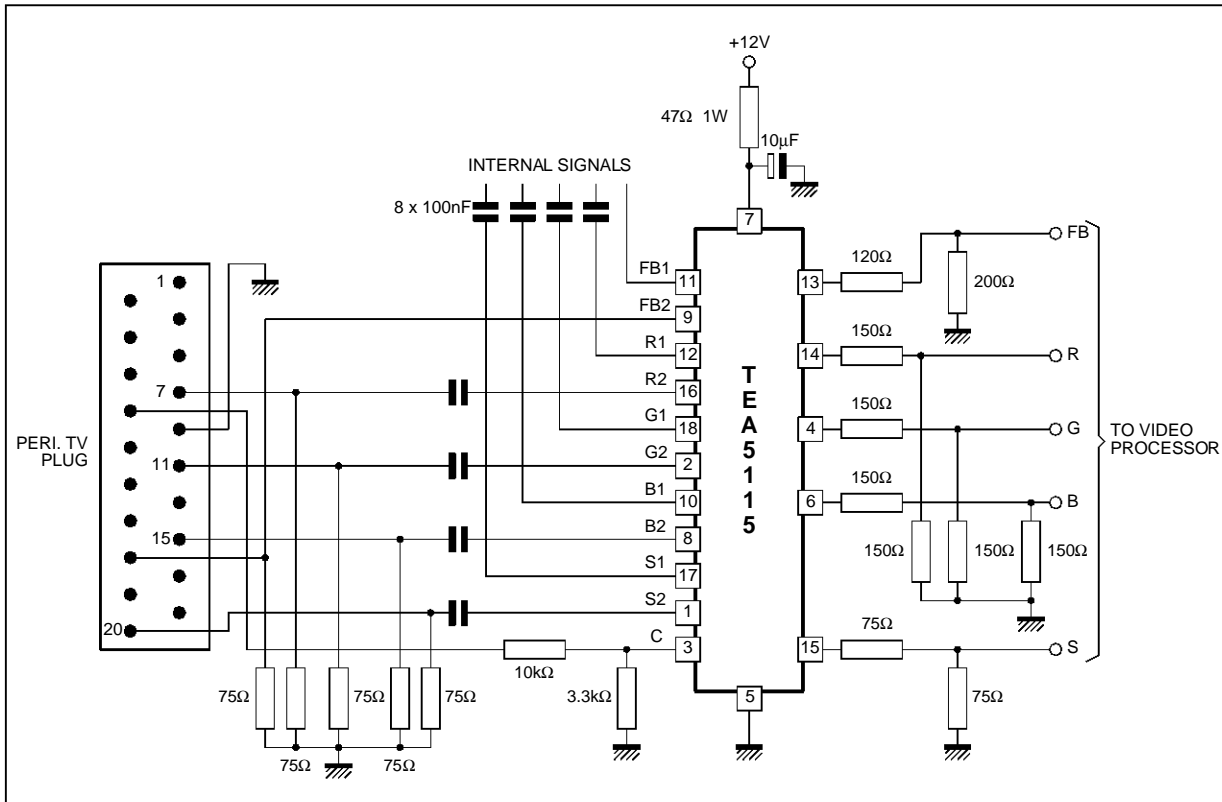
INPUTS/OUTPUTS EQUIVALENT INTERNAL DIAGRAMS (continued)

I_{CC} Supply (shunt transistor regulation system) (Pin 7)



5115-13.EPS

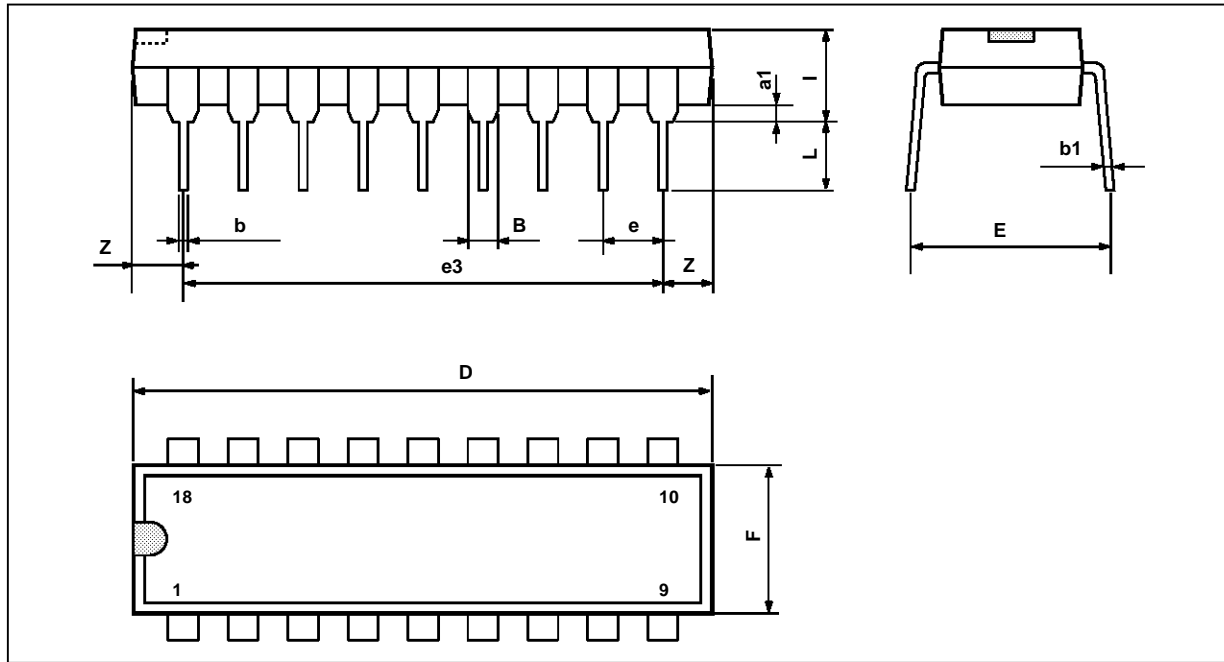
TYPICAL APPLICATION DIAGRAM



5115-14.EPS

- Above given output load values are minimum values, in case of all output loading.
- Minimum output load is 150 Ω individually, provided that total supply current is less than 150 mA.

PACKAGE MECHANICAL DATA
18 PINS – PLASTIC DIP



PM-DIP18EPS

Dimensions	Millimeters			Inches		
	Min.	Typ.	Max.	Min.	Typ.	Max.
a1	0.254			0.010		
B	1.39		1.65	0.055		0.064
b		0.46			0.018	
b1		0.25			0.010	
D			23.24			0.914
E		8.5			0.335	
e		2.54			0.100	
e3		20.32			0.800	
F			7.1			0.280
i			3.93			0.155
L		3.3			0.130	
Z		1.27	1.59		0.050	0.062

DIP18.TBL

Information furnished is believed to be accurate and reliable. However, SGS-THOMSON Microelectronics assumes no responsibility for the consequences of use of such information nor for any infringement of patents or other rights of third parties which may result from its use. No licence is granted by implication or otherwise under any patent or patent rights of SGS-THOMSON Microelectronics. Specifications mentioned in this publication are subject to change without notice. This publication supersedes and replaces all information previously supplied. SGS-THOMSON Microelectronics products are not authorized for use as critical components in life support devices or systems without express written approval of SGS-THOMSON Microelectronics.

© 1994 SGS-THOMSON Microelectronics - All Rights Reserved

Purchase of μ C Components of SGS-THOMSON Microelectronics, conveys a license under the Philips μ C Patent. Rights to use these components in a μ C system, is granted provided that the system conforms to the μ C Standard Specifications as defined by Philips.

SGS-THOMSON Microelectronics GROUP OF COMPANIES

Australia - Brazil - China - France - Germany - Hong Kong - Italy - Japan - Korea - Malaysia - Malta - Morocco
The Netherlands - Singapore - Spain - Sweden - Switzerland - Taiwan - Thailand - United Kingdom - U.S.A.